

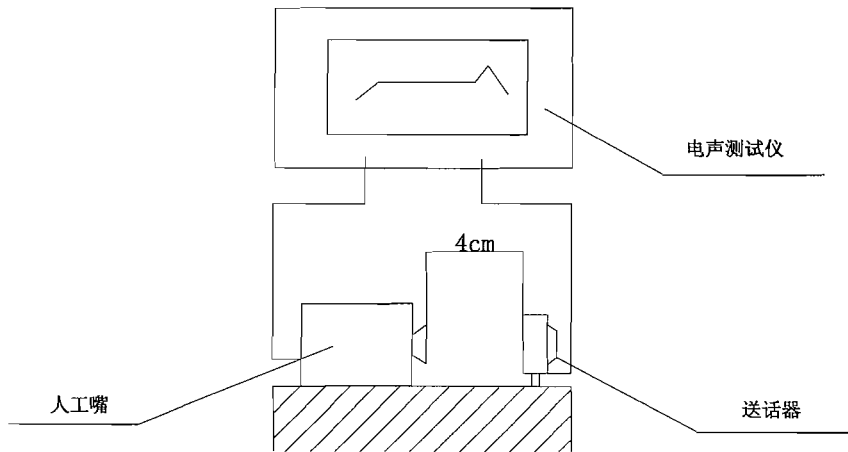
SPECIFICATION

Item No. T-2 Carbon Transmitter

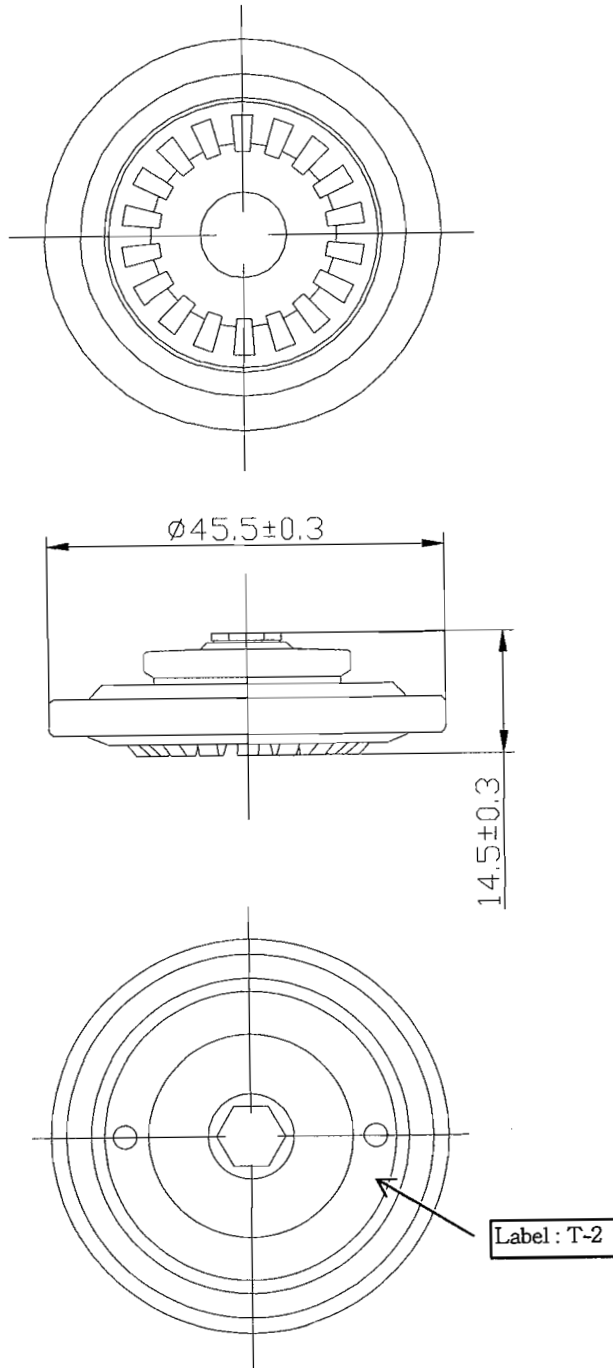
1、Characteristic 特性

Frequency Range	(Hz)	频率范围	300-3400
Sensitivity	(dB)	灵敏度	0±3
Dynamic Resistance	(Ω)	动态电阻	25-85
Rated Voltage	(V)	额定电压	3
Rated Current	(mA)	额定电流	35-120

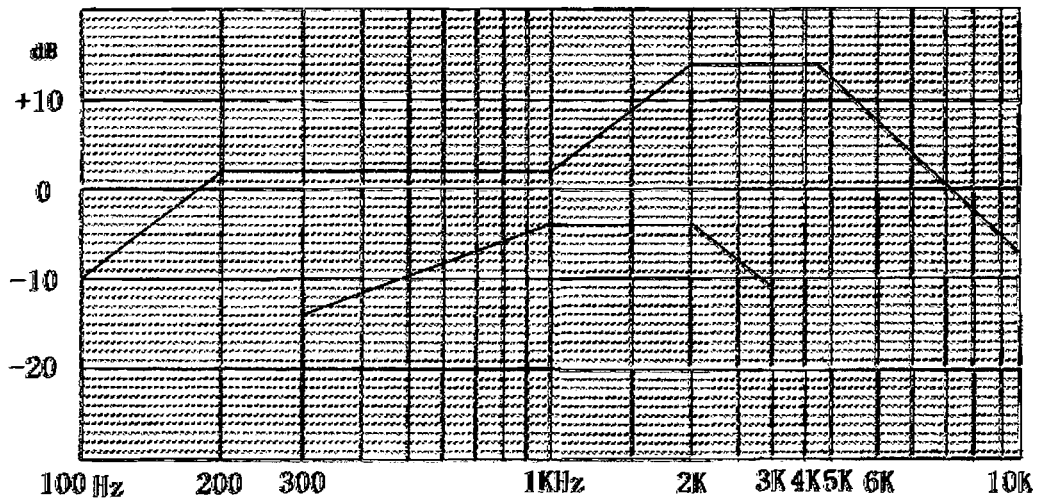
Test Diagram 测试框图



2、Dimension 外形图



3、Frequency Response Limit Curves 频响曲线



4、Reliability Test 可靠性试验

4.1 High Temperature Text 高温试验

Temperature	温度	+50°C
Duration	周期	72h

4.2 Low Temperature Test 低温试验

Temperature	温度	-20°C
Duration	周期	72h

4.3 Temperature Cycle Test 温度循环试验

Temperature	温度	-20°C/+50°C
Temperature change	温度变化	1±2°C/min
-20°C Duration at -20°C	周期	2h(each cycle)
+50°C Duration at -50°C	周期	2h(each cycle)
Duration for one cycle	一个循环周期	8h
Cycle	次数	10

4.4 Humidity Test	湿度试验	
Temperature	温度	40±20℃
Relative Humidity	相对湿度	90-95%
Duration	周期	96h
4.5 Load Test	负荷试验	
Input Power	输入功率	10mv white noise 24h
4.6 Vibration Test	振动试验	
Frequency	振动频率	vary from 10 to 50Hz and back to 10Hz in each of 3 directions
Direction	振动方向	3axes
Amplitude	振幅	3mm
Duration	6h (2h in each of 3 directias)	
4.7 Drop Test		
Direction	random drop	
Height	1m	
Floor	Concrete floor faced with 5mm thick hard wood board	
Number of drop	10 times	

5. AQL

Sensitivity	0.4
AC Impedance	0.4
Outer Diameter	1.5
Outer Diameter	1.5
Appearance	1.5