

# *SPECIFICATION*

## 产品规格书

**PART NO.** : DR-07-0-3010  
**SPEC NO.** :

**CUST. PART NO.** :

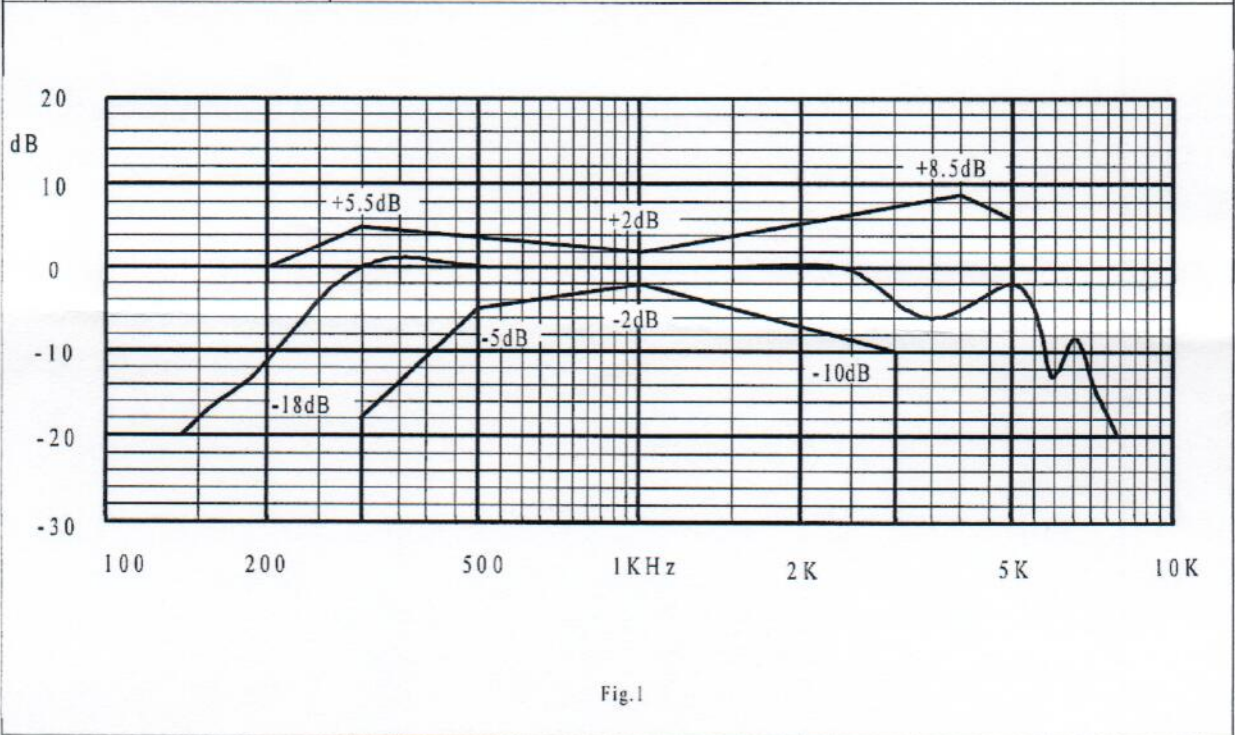
主要规格 :

1.Dimension	:	$\phi 35 \times 18 \text{mm}$
2.S.P.L Level	:	$97 \pm 2 \text{dB}$ (at 60mV, at 1KHz)
3.Impedance	:	$150 \pm 20\% \Omega$
4.F. R. Style	:	FL

IDC

<b>SPECIFICATIONS</b>		SPEC NO.	1/4
		PART NO. DR-07-0-3010	
		<b>DYNAMIC RECEIVER</b>	

1.	适用范围 Scope	本规格书适用于动圈受话器 This specification applies Dynamic Receiver.
2.	型号 Part No.	DR-07-0-3010
3.	尺寸 Size	φ 35x 18mm Shown in Fig.2
电子特性 Electrical Characteristics		
4.1	测试设定 Test Set Up	Shown in Fig.1
4.2	阻抗 Impedance	150ohm ± 20% (at 1KHz 60mV sine wave)
4.3	灵敏度 Sensitivity	97 ± 2dB S.P.L. (at 1KHz 60mV sine wave)
4.4	磁感应强度 Magnetic field strength	MF Intensity axial ≥ -19dB at 1KHz 0dB:1A/M 测试电路图 2 MF Intensity radial ≥ -22dB at 1KHz 0dB:1A/M Schematic Diagram 2
4.5	失真 Distortion	< 5% (300...3400Hz)
4.6	频率特性 Frequency Response	The frequency response relative to the 1KHz response shall Lie between the upper and lower limits show in Fig.1.



	<b>SPECIFICATIONS</b>	SPEC NO.	2/4
	<b>DYNAMIC RECEIVER</b>	PART NO. DR-07-0-3010	

环境测试 Environmental Tests		
5.1 一般 General	After any following test, the response at 1HKz shall not deviate more than 3dB from the initial value.	
5.2 高温测试 High Temperature Test	a. Temperature	+65°C +/- 3°C
	b. Duration	96 hours
	c. Duration of recovery	2 hours
5.3 低温测试 Low Temperature Test	a. Temperature	-25°C +/- 3°C
	b. Duration	96 hours
	c. Duration of recovery	2 hours
5.4 湿度测试 Humidity Test	a. Relative Humidity	90-95% at +40°C
	b. Duration	96 hours
	c. Duration of recovery	2 hours
5.5 温度循环测试 Temperature Cycling Test	a. Temperature Cycling Test	
	b. Number of Cycles	4 Cycles
	c. Duration of Recovery	
5.6 震动测试 Vibration Test	a. Vibration direction	3 axes
	b. Frequency	55 Hz
	c. Vibration amplitude	1.5mm
	d. Duration	30 minute in each plane
5.7 下跌测试 Drop Test	a. Unit only : The receiver shall withstand 10 random drops from a height 75cm to a concrete floor, and no mechanical damage. b. Fixed in handset : The receiver when properly mounted in a handset, shall withstand 6 random drops from a height of 1.5 meters to a concrete floor, and no mechanical damage, and no change the 1KHz response level.	

外形图 Dimensional Drawing

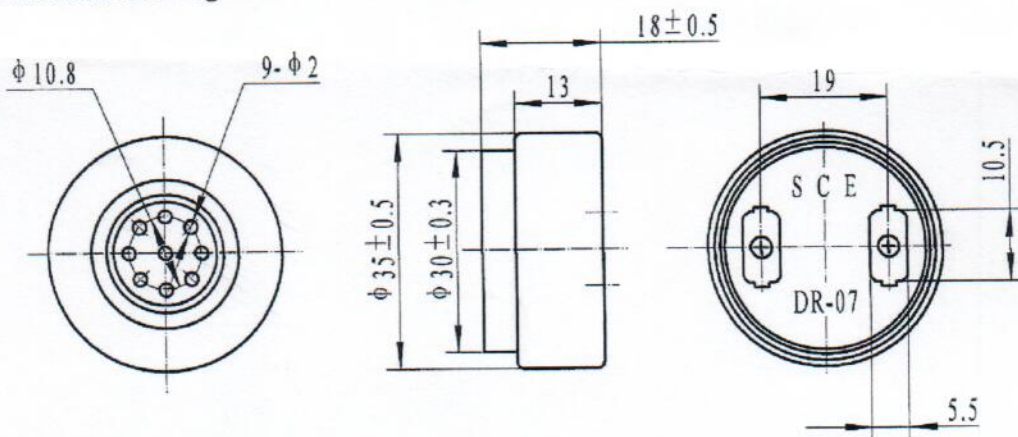


Fig 2

# SPECIFICATIONS

SPEC NO.

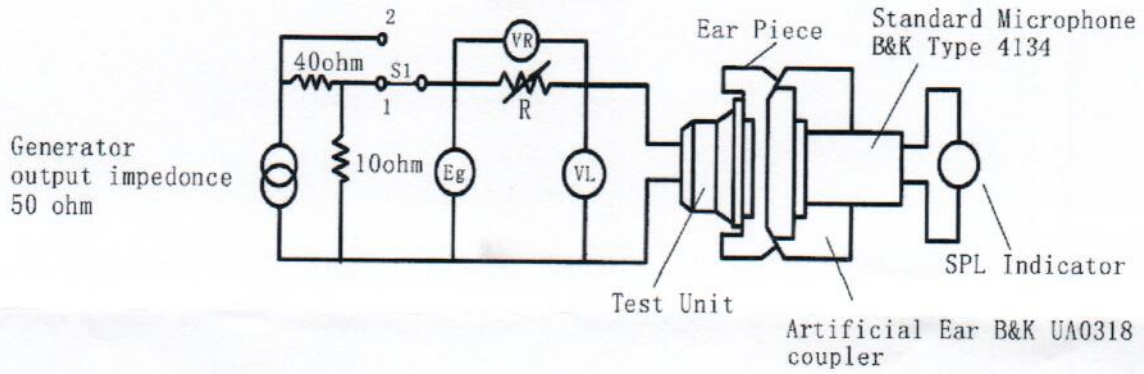
DYNAMIC RECEIVER

PART NO.  
DR-07-0-3010

3/4

测试电路图 1

Schematic Diagram 1



测试电路图 2

Schematic Diagram 2

