

DYNAMIC RECEIVER DR-01 (WITH H. A. C.)

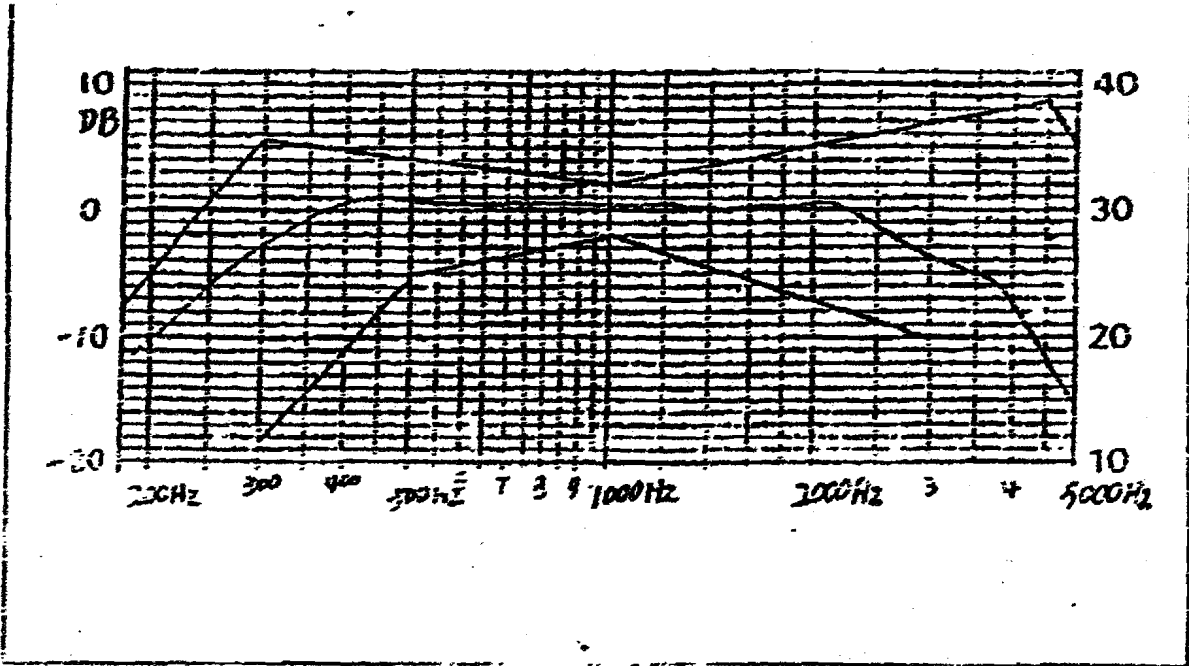
1. PRODUCT OUTLINE

- 1-1. PART NO. :DR-01 (With H.A.C.)
- 1-2. DIMENSIONS: As shown drawing no. (CONFIG. 1)
- 1-3. WEIGHT :65±5g
- 1-4. DIMENSION :45x22.5mm
- 1-5. STANDARD TEST
CONDITIONS: The test conditions unless other with specified shall be
5~35°C (Normal Temperature), 45~85% (Normal Humidity),
and 880~1060Pa (Normal Atmospheric Pressure)

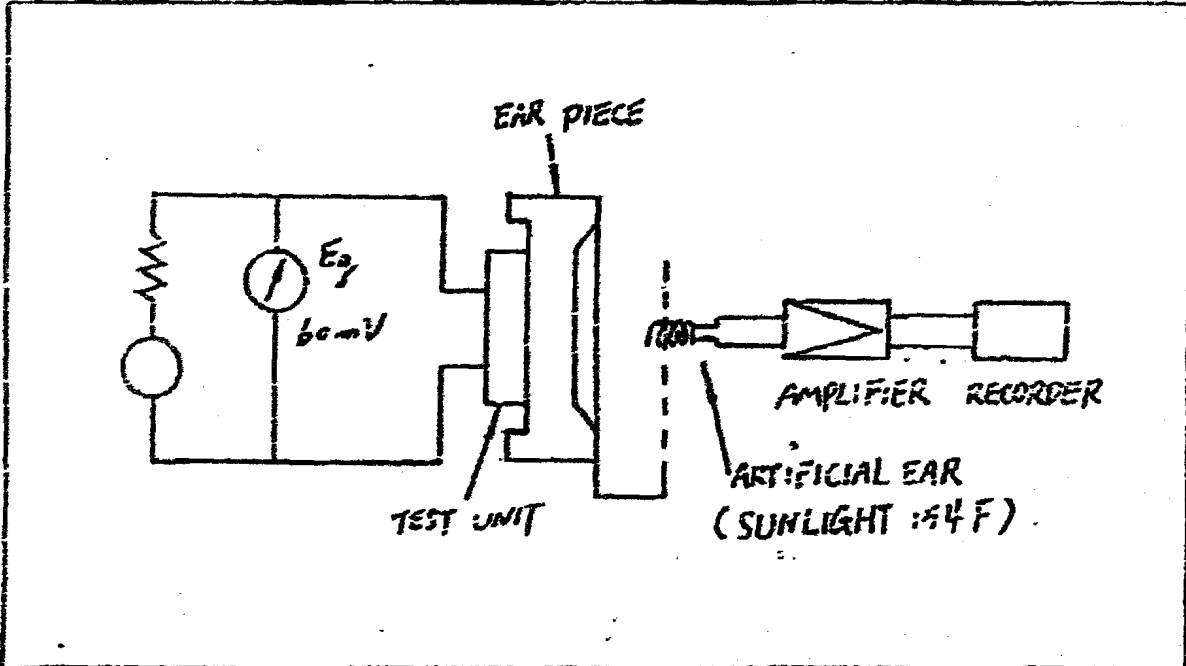
2. ELECTRICAL SPECIFICATIONS

- 2-1. SENSITIVITY: 98±2dB S.P.L at 1 KHz (input power 60mV)
- 2-2. IMPEDANCE :150ohm (±20%) at 1kHz By substitution method of resistance
- 2-3. TEST CIRCUIT (CONFIG. 2)
- 2-4. FREQUENCY RESPONSE (CONFIG. 3)
The 1kHz sensitivity requirements must be met and the frequency response shall lie between the movable envelope limits shown in CONFIG. 3
- 2-5. LEAKAGE MAGNETIC FIELD STRENGTH:
 - 2-5-1. STRENGTH
MF intensity axial >= 22dB at 1Khz 0dB:1A/M
MF intensity radial >= 27dB at 1Khz 0dB:1A/M
 - 2-5-2. TEST CIRCUIT (CONFIG. 4)
 - 2-5-3. FREQUENCY RESPONSE:
The frequency response shall lie between the envelope limits shown in CONFIG. 5

ISSUE BY	DATE	WRTN	CHKD	APPVD	DESCRIPTION

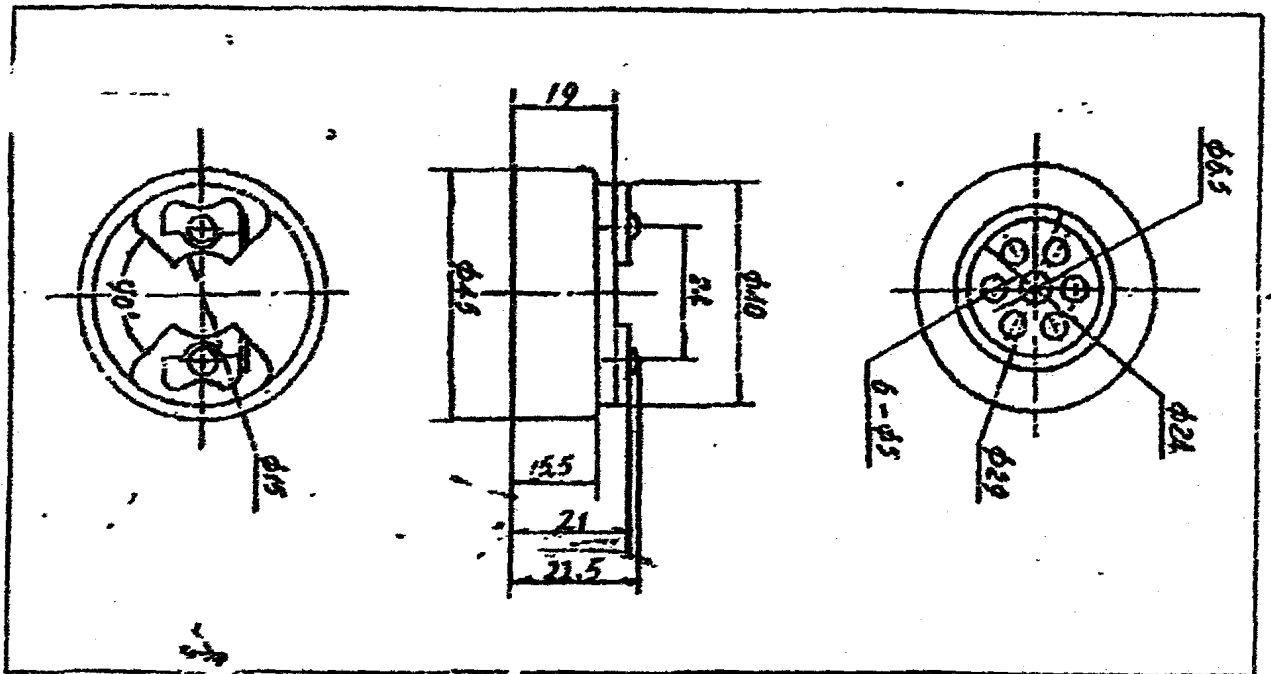


6. CONFIG. 4

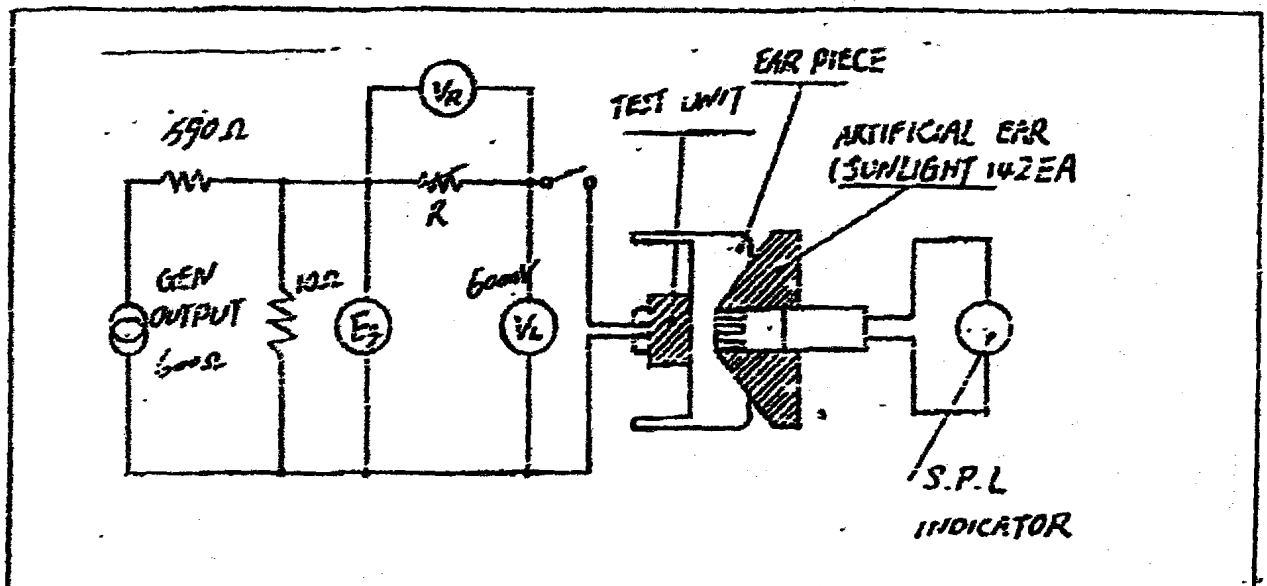


ISSUE BY	DATE	WRN	CHKD	APPVD	DESCRIPTION

D201



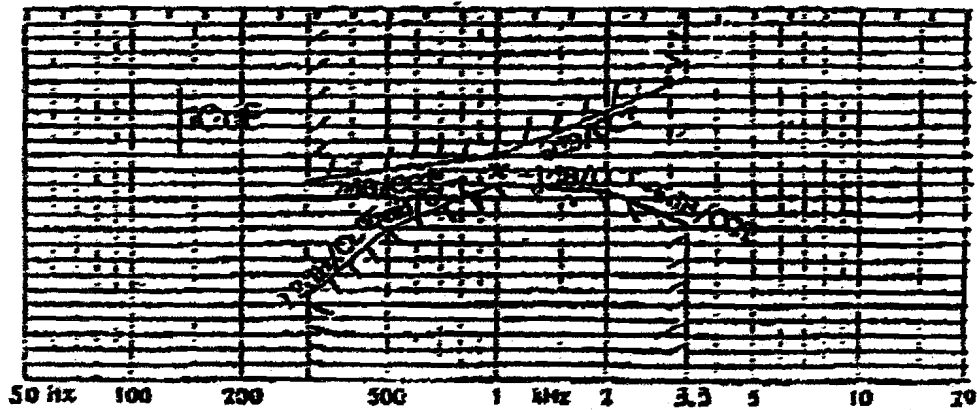
4. CONFIG. 2



ISSUE BY DATE WRN CHKD APPVD DESCRIPTION

D601

MAGNETIC FIELD FREQUENCY RESPONSE ENVELOPE



8. ENVIRONMENTAL TESTS

6.1 GENERAL

AFTER ANY FOLLOWING TESTS, THE REPOSE AT 1KHz SHALL NOT DEVIATE MORE THAN ± 3dB FROM THE INITIAL VALUE

6.2 HIGH TEMPERATURE AGING TESTS

a. Temperature: +65 °C b. Duration : 96hours c. Duration of recovery : 6hours

6.3 LOW TEMPERATURE AGING TEST

a. Temperature: -30 °C b. Duration : 96hours c. Duration of recovery : 6hours

6.4 HUMIDITY TEST

a. Relative humidity : 90-95% at 60 °C b. Duration : 96hours c. Duration of recovery : 6hours

6.5 DROP TEST

a. UNIT ONLY

The receiver shall withstand 10 random drops from a height of 75CM to concrete floor, and there shall be no mechanical damage

b. FIXED IN HANDSET

The receiver, when properly mounted in a handset, shall withstand 20 random drops from a height of 1 meter to a concrete floor, and there shall be no mechanical damage.

ISSUE BY DATE WRN CHKD APPVD DESCRIPTION

101